

# YAMAHA NS-10MX

Natural Sound  
Acoustic-suspension Type  
2-Way Speaker System

Thank you for selecting this Yamaha NS-10MX speaker system.

## PRECAUTIONS

Read these precautions carefully before operating your speaker.

- When using an amplifier with a rated output power higher than the music input of the speaker, care should be taken never to exceed the speaker's music input.
- Anytime you note distortion, reduce the volume control on your amplifier to a lower setting. Never allow your amplifier to be driven into "clipping".
- Do not place the speaker where it will be exposed to direct sunlight or excessive humidity to prevent it from being damaged.
- Do not attempt to clean the speaker with chemical solvents as this might damage the finish. To clean, wipe with a dry, soft cloth.
- Placing the speaker on the same shelf or rack as the turntable can result in feedback.
- Do not place the speaker where it is liable to be knocked over or struck by falling objects. Stable placement will also ensure better sound performance.
- **Secure placing or installing is the owner's responsibility.**  
**YAMAHA shall not be liable to any accident caused by an improper placing or installing of the speaker.**

## CONNECTION TO YOUR AMPLIFIER

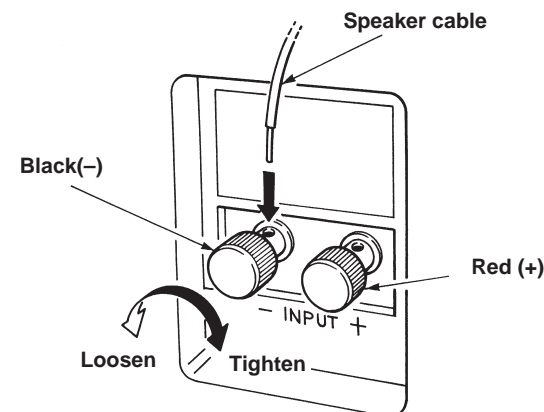
**BEFORE MAKING CONNECTIONS, MAKE SURE THAT THE AMPLIFIER IS SWITCHED OFF.**

### ■ CONNECTIONS

- Connect the screw-type input terminals at the rear of the speaker to the speaker output terminals of your amplifier with the provided speaker cables.
- One side of the speaker cable is marked by a white line. Connect the (+) terminals on both the amplifier and the speakers using this white-marked side. Connect the (-) terminals on both components using the unmarked side of the cable. If connected with reversed polarity, the sound will be unnatural and lack bass.

### Procedures:

- ① Loosen the terminal knob.
- ② Insert the bare wire end properly into the terminal hole. [Remove approx. 10 mm (3/8") insulation from the speaker cable.]
- ③ Tighten the knob.
- ④ Test the security of the connection by tugging lightly on the cable at the terminal.

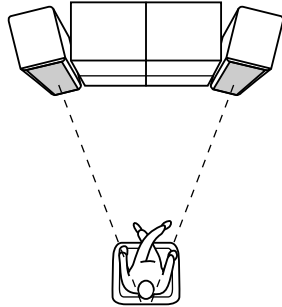


### Note

**Do not let the bare speaker wires touch each other as this could damage the speaker and/or the amplifier.**

## PLACING THE SPEAKER

- Place the speaker on a sturdy, vibration-free surface. If you cannot obtain good bass quality when the speaker is placed directly on the floor, insert a block etc. between the speaker and the floor.
- Better stereo images will be obtained when the speakers are slightly angled in towards the listener.



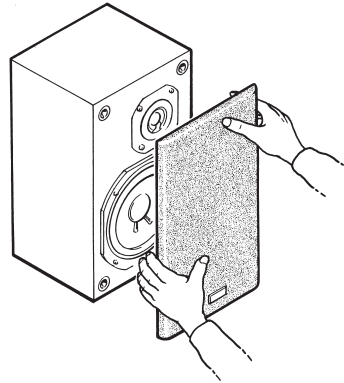
**Note**  
Though this speaker is a magnetic shielding type, there may be an influence on TV picture according to the type of TV or the placement of the speaker. In such a case, place the speaker apart from the TV so that there is no influence on TV picture.

## REMOVING THE FRONT COVER

The front cover is fastened to the enclosure at four points, and can be removed if desired. To remove the cover, hold on to both sides and slowly pull straight away from the speaker. To reattach, line up the four pegs on the inside surface of the cover with the four corresponding holes on the speaker and push gently.

### Note

When the cover is removed, take care not to touch the speaker units with your hands or to exert excessive force with tools.



## SPECIFICATIONS

Type .....	2 way Acoustic-suspension type speaker system Magnetic-shielding type (EIAJ)
Speaker Unit.....	18 cm cone woofer x 1 3.5 cm dome tweeter x 1
Nominal Impedance.....	8 ohms
Frequency Response.....	60 Hz – 20 kHz
Nominal Input Power.....	60W
Music Input Power.....	120W
Sensitivity .....	90 dB/w/m
Crossover Frequency.....	2 kHz, 12 dB/oct.
Dimensions (WxHxD).....	215 x 382 x 199 mm (8-7/16" x 15-1/16" x 7-13/16")
Weight.....	7 kg (15 lbs. 6 oz.)
Accessories .....	Speaker cable (4m) x 2

- \* Specifications subject to change without notice due to product improvements.
- \* Care should be taken not to exceed the input power values noted above.

**YAMAHA**  
YAMAHA CORPORATION